

GHG-KNT Lift Off Torque Hinge

Features

- Hinge with friction torque holds lid / door in desired position
- Lift-off type, easy to detach doors
- Can be used for horizontal and vertical applications
- Passed 30,000 times open /close cycle test

Notes

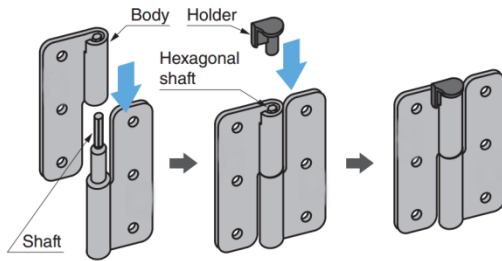
- Ensure both hinge shafts are levelled and aligned during installation
- Insert holder at the end after door installation
- When using the hinges horizontally, set the holders opposite each other to prevent them being inserted or removed

Assembly

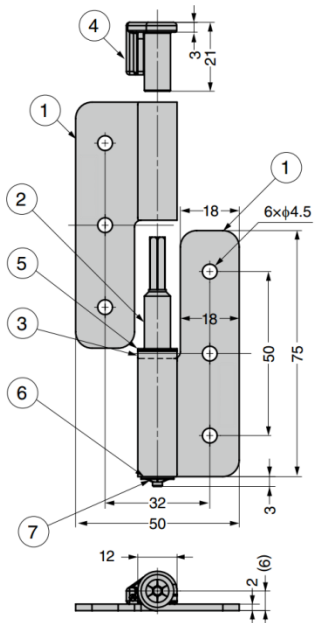
- Insert the body into shaft, and then insert the holder into the hexagonal part of shaft to generate torque. To detach, use a tool to push the holder out



GHG-KNT3L

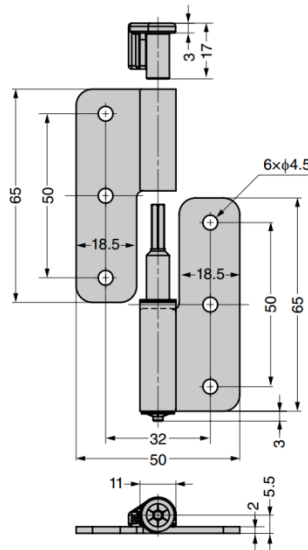


No.	Part Name	Material	Finish / Colour
①	Body	Stainless Steel (SUS304)	Barrel Polished
②	Shaft		-
③	Plug	POM	Black
④	Holder	PA	
⑤	Washer	PTFE	Natural
⑥	Washer	POM	
⑦	Push Nut	Stainless Steel	-

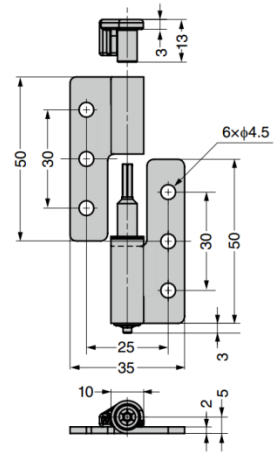


GHG-KNT16L

Left-handed type shown. Right-handed type is symmetrical.



GHG-KNT7L



GHG-KNT3L

Part No.	Type	Torque (per piece)	
GHG-KNT3L	Left-handed	0.3 ±0.2 N.m	3.1 ±2.0 kgf.cm
GHG-KNT3R	Right-handed		
GHG-KNT7L	Left-handed	0.7 ±0.25 N.m	7.1 ±2.6 kgf.cm
GHG-KNT7R	Right-handed		
GHG-KNT16L	Left-handed	1.6 ±0.3 N.m	16.3 ±3.1 kgf.cm
GHG-KNT16R	Right-handed		